

COMPACT FISHMEAL PROCESSING SYSTEMS

Dupps compact plants are ideal for processing smaller quantities of fish or fish offal in limited spaces on vessels or on shore.

- High yield of high quality meal and oil
- Low maintenance and energy costs
- Low emissions
- Compact footprint and low weight
- Turnkey, pre-assembled systems
- Easy operation and reliable service.

Dupps Compact Fishmeal Plants consist of proven machines pre-assembled on a single skid. Primary system components include indirect steam heated cooker, strainer screw, double screw press, decanter and steam dryer. Plants include all required screw conveyors, pumps, piping and ducting.

Advanced monitoring instrumentation, together with an electrical control panel with flow diagram and controllers covering the whole plant, help ensure safe and efficient operation. Rated capacities are from 25 to 300 metric tons of raw material per 24 hours; yield may vary with raw material type and machine configuration. Plants with higher capacities are supplied on several skids or as individual machines.

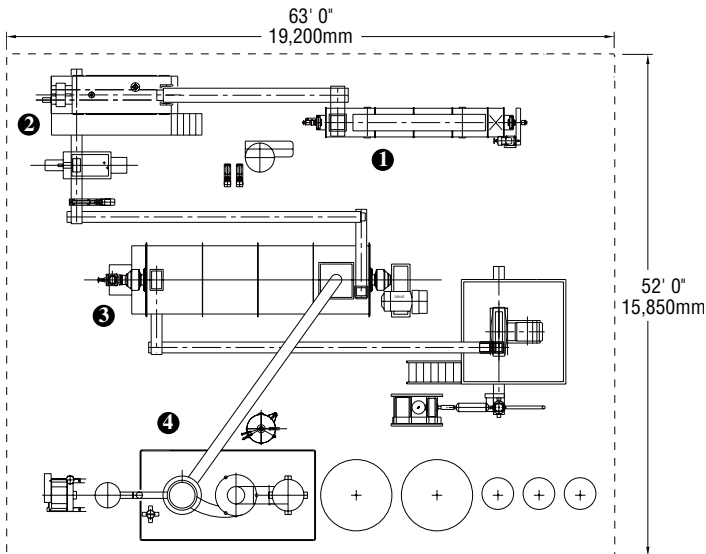
Options include

- Customizable configuration
- Raw material handling system
- Stickwater evaporator (normally included in land-based installations)
- Deodorization system
- Meal handling and packing.



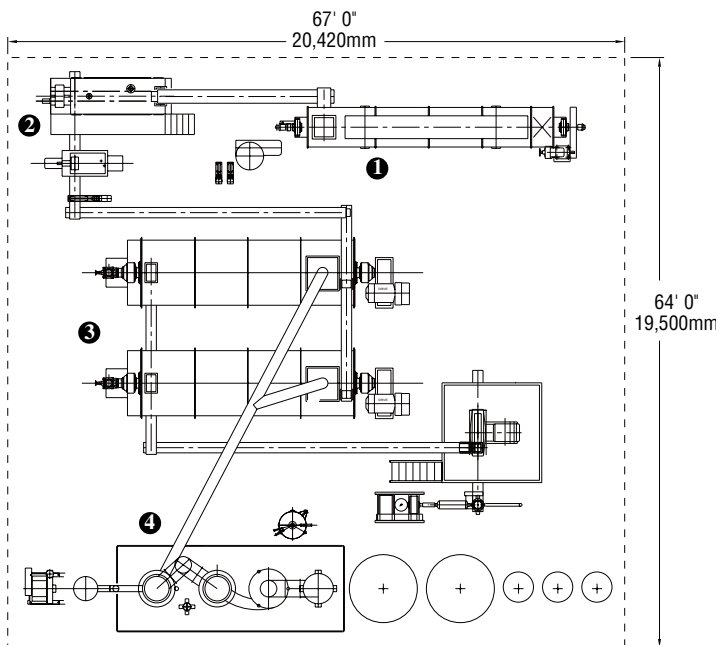
COMPACT FISHMEAL PROCESSING SYSTEMS

100 TPD & 150 TPD Floor Plan



	100 TPD	150 TPD
Plant Capacity		
lbs./hr. (kg/hr.)	11,000 (5,000)	16,500 (7,500)
1 Cooker		
Length	23' 3" (7,095mm)	29' 10" (9,095mm)
Width	5' 8" (1,735mm)	5' 8" (1,735mm)
Height	3' 1" (940mm)	3' 1" (940mm)
Weight	15,400 lbs. (7,000kg)	18,700 lbs. (8,500kg)
2 Press		
Length	13' 1" (4,000mm)	13' 1" (4,000mm)
Width	8' 5" (2,576mm)	8' 5" (2,576mm)
Height	5' 2" (1,580mm)	5' 2" (1,580mm)
Weight	15,400 lbs. (7,000kg)	15,400 lbs. (7,000kg)
3 Dryer		
Length	34' 1" (10,390mm)	34' 1" (10,390mm)
Width	7' 8" (2,345mm)	10' 0" (3,040mm)
Height	9' 8" (2,935mm)	12' 6" (3,800mm)
Weight	132,000 lbs. (60,000kg)	132,000 lbs. (60,000kg)
4 Evaporator		
Diameter	3' 3" (1,000mm)	3' 3" (1,000mm)
Height	32' 10" (10,000mm)	32' 10" (10,000mm)
Weight	15,400 lbs. (7,000kg)	16,500 lbs. (7,500kg)

250 TPD & 300 TPD Floor Plan



	250 TPD	300 TPD
Plant Capacity		
lbs./hr. (kg/hr.)	22,000 (10,000)	27,500 (12,500)
1 Cooker		
Length	33' 8" (10,260mm)	33' 8" (10,260mm)
Width	7' 5" (2,250mm)	7' 5" (2,250mm)
Height	3' 11" (1,184mm)	3' 11" (1,184mm)
Weight	25,740 lbs. (11,700kg)	25,740 lbs. (11,700kg)
2 Press		
Length	14' 6" (4,425mm)	14' 6" (4,425mm)
Width	10' 1" (3,085mm)	10' 1" (3,085mm)
Height	5' 3" (1,600mm)	5' 3" (1,600mm)
Weight	19,800 lbs. (9,000kg)	19,800 lbs. (9,000kg)
3 Dryers (2)		
Length	34' 1" (10,390mm)	34' 1" (10,390mm)
Width	7' 8" (2,345mm)	10' 0" (3,040mm)
Height	9' 8" (2,935mm)	12' 6" (3,800mm)
Weight	264,000 lbs. (120,000kg)	264,000 lbs. (120,000kg)
4 Evaporators (2)		
Diameter	3' 3" (1,000mm)	3' 3" (1,000mm)
Height	32' 10" (10,000mm)	32' 10" (10,000mm)
Weight	30,800 lbs. (14,000kg)	33,000 lbs. (15,000kg)

The Dupps Company



Germantown, Ohio U.S.A.

Phone: 937/855-6555 • Fax: 937/855-6554 • E-mail: info@dupps.com

Visit www.dupps.com to learn more about the complete line-up of Dupps fishmeal processing systems and equipment.

Due to ongoing product improvements, data shown here is subject to change without notice. Contact The Dupps Company for latest specifications.