



# Precrusher<sup>™</sup>

**Pre-break large pieces  
without preliminary cut-up.**

**Process up to 45 metric tons  
(50 tons) of raw material per hour.**

**High-torque performance handles  
a broad range of feed stock.**



- Hardened machined teeth force material through the Precrusher's rugged anvils with a low-speed shearing action instead of an impact or tearing action.
- The Precrusher features a solid forged steel rotor available in 1" long tooth, 2" long tooth or 1" short tooth depending upon model. The high-strength alloy teeth can be renewed without removing the rotor for easy maintenance.
- Replaceable anvils feature high-strength alloy steel on both grinding and wiper sides of the rotor for unsurpassed durability. Anvils can be rotated 180° to provide a new cutting edge.
- The low-maintenance, high-torque motor uses less energy than other pre-breaker designs.
- The motor and belt drive are connected to a triple-reduction gear reducer that is directly coupled to the main shaft with a gear-type coupling.
- The new Model 10-1 Precrusher is designed for increased operational efficiency at capacities up to 13.6 metric tons (15 standard tons) per hour.

# Precrusher<sup>TM</sup>

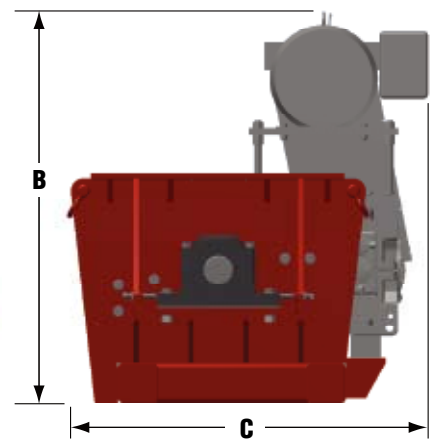
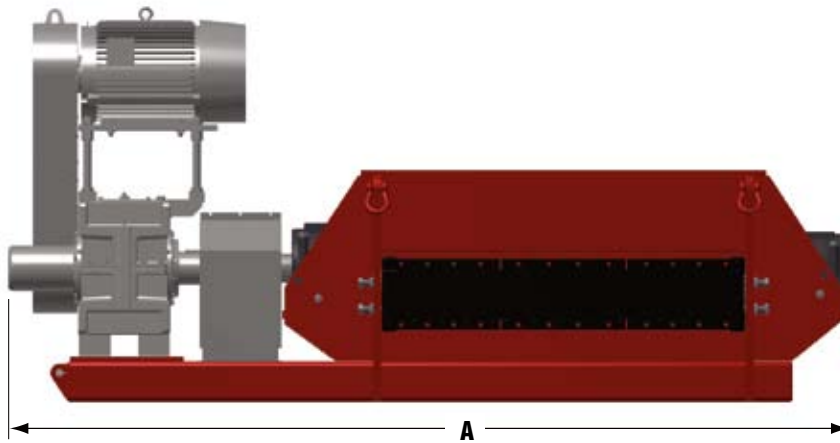
Pre-break large pieces  
without preliminary cut-up.

Process up to 45 metric tons  
(50 tons) of raw material per hour.

High-torque performance handles  
a broad range of feed stock.



New 10-1 Precrusher is ideal for  
smaller capacity requirements.



Model	A - Length	B - Height	C - Width	Approx. Capacity
10-1	2,661 mm • 8' 9"	1,622 mm • 64"	1,346 mm • 53"	13.6 MT/hr • 15 ST/hr
15-1	4,013 mm • 13' 2"	1,956 mm • 77"	1,727 mm • 68"	22 – 32 MT/hr • 25 – 35 ST/hr
15-2	4,013 mm • 13' 2"	1,956 mm • 77"	1,727 mm • 68"	36 – 45 MT/hr • 40 – 50 ST/hr

Due to ongoing product improvements, data shown here is subject to change without notice.

**The Dupps Company**



Germantown, Ohio U.S.A.

Phone: 937/855-6555

Fax: 937/855-6554

E-mail: [info@dupps.com](mailto:info@dupps.com)

Visit [www.dupps.com](http://www.dupps.com) to explore the  
world's leading protein recycling systems,  
equipment and service.

© 2017 The Dupps Company Printed in U.S.A.