

## **Grindor™** **Meal Grinder**

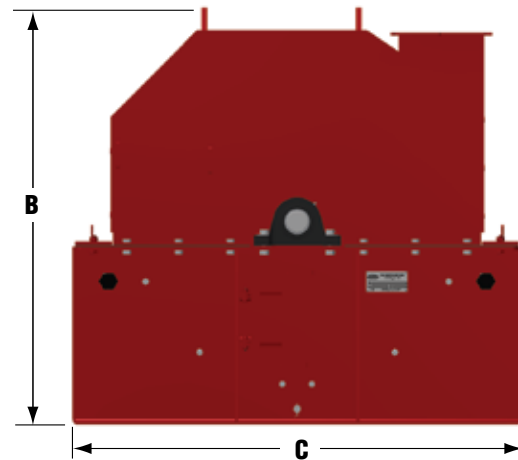
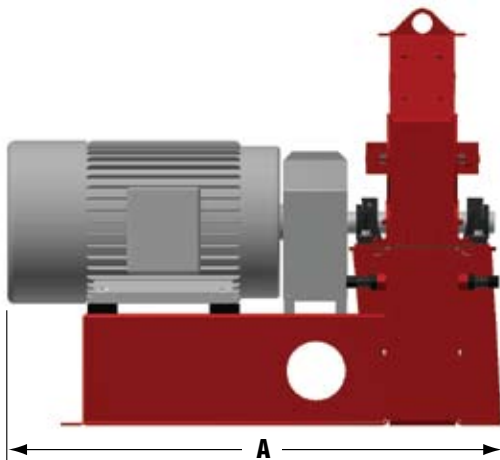
**High-capacity,  
high-speed, attrition-type  
meal grinder.**



- The Dupps Grindor reduces dry material to small, uniform pieces at an average rate of up to 100 pounds or more per horsepower per hour, and moist material at up to 60 pounds per horsepower per hour. Available in 100 or 200 horsepower (75 or 149 KW) models.
- Twin hammers break material upon impact, then force it through a screen. Various diameter screen perforations provide a range of final particle sizes.
- The wear-resistant impact hammers are easily replaced to increase service life and reduce maintenance costs—quick opening doors allow easy access to hammers and mounting bolts.
- Grindor features a side entry housing for less windage.
- The entire unit constructed of welded steel and lined with replaceable, wear-resistant plates.

# Grindor™ Meal Grinder

High-capacity,  
high-speed, attrition-type  
meal grinder.



A - Length	B - Height	C - Width	Weight	Capacity*
1,514 mm • 59 5/8"	1,429 mm • 56 1/4"	1,543 mm • 60 3/4"	1,588 kg • 3,500 lbs	60.67 kg/kw/hr • 100 lbs./hp/hr

\*Dry raw material; guaranteed by test only.

Due to ongoing product improvements, data shown here is subject to change without notice.

**The Dupps Company**



Germantown, Ohio U.S.A.  
Phone: 937/855-6555  
Fax: 937/855-6554  
E-mail: info@dupps.com

Visit [www.dupps.com](http://www.dupps.com) to explore the world's leading protein recycling systems, equipment and service.

© 2013 The Dupps Company Printed in U.S.A.